

AST Tool Specials August 2019

AST6150 - DRAIN PLUG REMOVAL / INSTALLATION TOOL SET - BMW - FORD - PSA - VAG

AST6150

AST6150 Set comprises:

- AST6151 Drain Plug set (3 pc)
- for PSA / Ford
- AST6152 Drain Plug set (3 pc)
- for Ford
- AST6153 Drain Plug set (3 pc)
- for BMW
- AST6154 Drain Plug set (3 pc)
- for VW Group



Typical Applications:

Audi - A1, A3, A4, A5, A6, Q3, Q5, TT **BMW** - 1 Series I/II, 2 Series, 3 Series, 4 Series, 5 Series, X1, X3, Z4 **Ford** - C-MAX, Focus, Galaxy, Kuga, Mondeo, S-Max, Edge, Transit, Tourneo **Citroen** - C4, C5, DS4, DS5, Jumpy, **Peugeot** - 308, 508, 3008, 5008 **Seat** - Leon, Toledo, Alhambra **Skoda** - Ibiza, Octavia, Rapid, Superb, Yeti **VW** - Beetle, Caddy, Golf, Jetta, Passat, Scirocco, Sharan, Tiguan, Touran

OIL DRAIN PLUG THREAD REPAIR KIT

AST6100

Includes Special Taps and Replacement Sump Plugs / Washers for

- M13 x 1.5 Oil Drain Plug Repair Kit - for use on M12 Threads
- M15 x 1.5 Oil Drain Plug Repair Kit - for use on M14 Threads
- M17 x 1.5 Oil Drain Plug Repair Kit - for use on M16 Threads
- M20 x 1.5 Oil Drain Plug Repair Kit - for use on M18 Threads



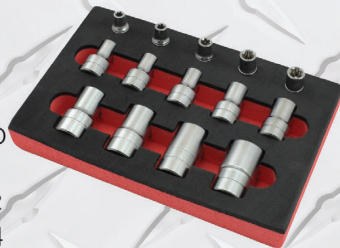
The AST Oil Drain Plug Thread Repair Kit provides a range of taps and replacement drain plugs to replace the drain plug when a stripped thread is encountered in the sump pan. This avoids having to replace the complete sump just because the drain plug thread has stripped during the oil change. Using the appropriate size special tap provided, re-thread the hole. Fit the corresponding oversize drain plug and washer supplied in the kit. **Universal Applications** - this kit covers most popular drain plug threads found on a wide range of cars and light vans.

Torx Plus Female 'EP' Socket Set - 14 pc - BMW - MERCEDES BENZ - MINI - NISSAN - PSA

AST6116

AST6116 Set comprises:

- EP4 x 1/4" dr - AST6116-4
- EP5 x 1/4" dr - AST6116-5
- EP6 x 1/4" dr - AST6116-6
- EP7 x 1/4" dr - AST6116-7
- EP8 x 1/4" dr - AST6116-8
- EP10 x 3/8" dr - AST6116-10
- EP11 x 3/8" dr - AST6116-11
- EP12 x 3/8" dr - AST6116-12
- EP14 x 3/8" dr - AST6116-14
- EP16 x 3/8" dr - AST6116-16
- EP18 x 1/2" dr - AST6116-18

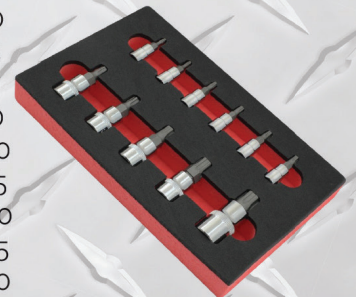


Torx Plus Male 'IP' Socket Set - 11 pc - BMW - MERCEDES BENZ - MINI - NISSAN - PSA

AST6117

AST6117 Set comprises:

- IP10 x 1/4" dr - AST6117-10
- IP15 x 1/4" dr - AST6117-15
- IP20 x 1/4" dr - AST6117-20
- IP25 x 1/4" dr - AST6117-25
- IP27 x 1/4" dr - AST6117-27
- IP30 x 1/4" dr - AST6117-30
- IP40 x 3/8" dr - AST6117-40
- IP45 x 3/8" dr - AST6117-45
- IP50 x 3/8" dr - AST6117-50
- IP55 x 3/8" dr - AST6117-55
- IP60 x 1/2" dr - AST6117-60



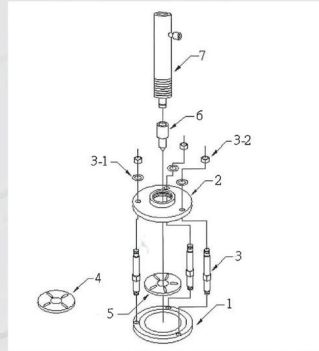
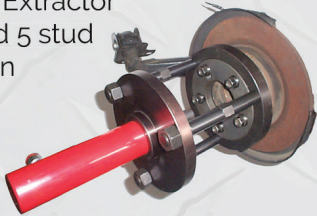
AST Torx Plus Sockets have been developed from the Torx form and are designed to provide a more positive engagement and better drive, while minimising wear of the drive bit. This is particularly useful in high volume applications such as vehicle production assembly lines where both Male and Female form Torx Plus fasteners are used.

AST Tool Specials August 2019

UNIVERSAL HYDRAULIC AXLE EXTRACTOR

HCBA1089 ET

10 ton Universal Hydraulic Axle Extractor
4 and 5 stud
10 ton



Part No.	Description	Dimension	Quantity
1	Under Fixed Base	Ø207*20	1
2	Upper Fixed Base	Ø207*30	1
3	Fixed Screw	H21*219L	3
3-1	Spring-washer	Ø26*3	3
3-2	Nut	H26*M16*P2.0	3
4	4 Holes Flat Plate	Ø160*14	1
5	5 Holes Flat Plate	Ø160*14	1
6	Central Joint	Ø38*74L	1
7	Hydraulic Cylinder	Ø57*14W	1

V RIBBED BELT INSTALLATION KIT

HCBA1781

Allows damage free mounting of flexible multi ribbed belts, For the straightforward removal and fitting of new flexible V ribbed belts (eg. air conditioning compressor.) Also suitable for use with double belt drives.



High Quality Made in Taiwan.

Applications:

BMW 118,120,318, 325, 330, 335, 520, 525, 530, 535, 635, 720, X3, X5. **Audi** A3 1.6/2.0 D **Seat** Altea, Ibiza 1.6/2.0 D
Skoda Octavia, Yeti 1.6/2.0 D, **VW** Eos, Golf, Passat, Polo, Scirocco 2.0D, **Chrysler** Grand Voyager, Voyager 2.5D/2.8D.
Ford C-Max, Focus, C-Max, Mondeo, Tourneo, Transit 1.4/1.6/ 1.8/ 2.0 Transit, Transit Tourneo 2.2D, Courier, Fiesta, Fusion 1.6 **Mazda** 3, 5, Axela 1.8/ 2.0 und Modell 2 1.2/ 1.4/ 1.6 **Mercedes** Sprinter, Viano, Vito 3.0D **Peugeot** 206, 207, 307, Boxer 1.6D /2.2D /3.0D **Citroen** C2, C3, C4, Jumper, Relay 1.6D/ 2.2D/ 3.0D **Fiat** Albea, Doblo, Ducato, Fiorino, Fiorino Qubo, Linea, Palio, Siena,Stilo, Strada Pickup 2.2D/ 2.3D/ 3.0D, Doblo, Marea, Multipla 1.6 **Volvo** C30, S40, V50 1.6/ 1.8/ 2.0, **Mitsubishi** ASX 1.8D

N62 & N62 TU Valve Stem Seal tool Set - Now also for the Mini N13/14/18 Engine Range!

ET0095



Replace the valve stem seals without removing the intake or exhaust cams on N62 & N62 TU engines. (Saves up to 20 hours!) On mini N13/N14/N18 engines cams must be removed to complete repair.

Tool Set to Buy or Hire

Also works for the Mini N13/14/18 engine range.

Applications:

2000-2005 BMW 745i & iL (E65 & E66)
2006 - 2008 BMW 745i & iL (E65 & E66)
2004 - 2006 BMW XS 4.4i/4.8is (E53)
2007 - 2010 BMW X5 4.8i (E70)
2004 - 2005 BMW 545i (E60)
2006 -2010 BMW 550i (E60 & E61)
2004 - 2005 BMW 645Ci (E63 & E64)
2006 - 2010 BMW 650i (E63 & E64)
Mini N13/14/18 Engine range.

