

## June 2017

### INJECTOR / COMBUSTION CHAMBER SEAL TOOL SET AUDI/ VW ET0017A

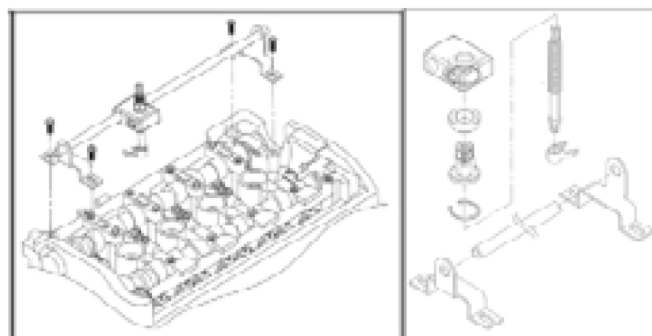
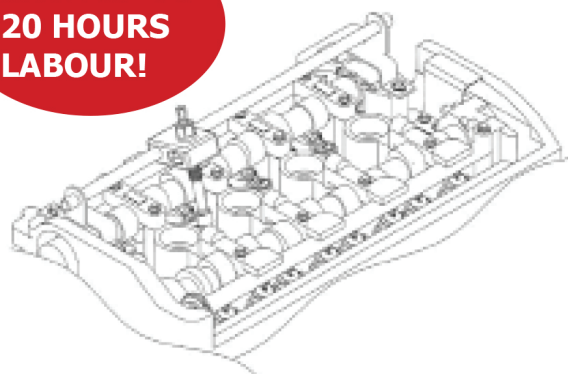


ITEM NO.	COMPONENTS	OEM Ref
1	Double jaw puller	T101341
2A	Washer	T101342A
3	Sliding hammer	T101343
4	Brush	T101344
5	Assembly cone	T101345
6	Assembly sleeve	T101346
7	Calibration sleeve	T101347
8	Calibration sleeve	T101348
9	Injector installer	T101349
10	Adapter	T101350
11	Ring	T101351
12	Retaining plate	T101352
13	Ignored tool	T101353
14	Calibration sleeve	T101354
15	Washer	T101355
16A	Excess tool	T101356A
17	Calibration sleeve	T101357
18A	Sleeve	T101358
19	Washer Audi A3 2013 -, Golf 2013 -, Octavia 2013 -, Lotus 2013 - 4-cyl. injection engine (1.4 l) direct injection engine, turbocharged) 4-cyl. injection engine (1.2 l) direct injection engine, turbocharged) Removal of high pressure injectors	T101359
20/21	Washer	T101360

### VALVE STEM SEAL TOOL SET - BMW (N62 & N62 - TU) ET0095



**SAVE UP TO  
20 HOURS  
LABOUR!**



Replace the stem seal valves without removing the intake or the exhaust cams with this fantastic repair kit.

#### APPLICATIONS:

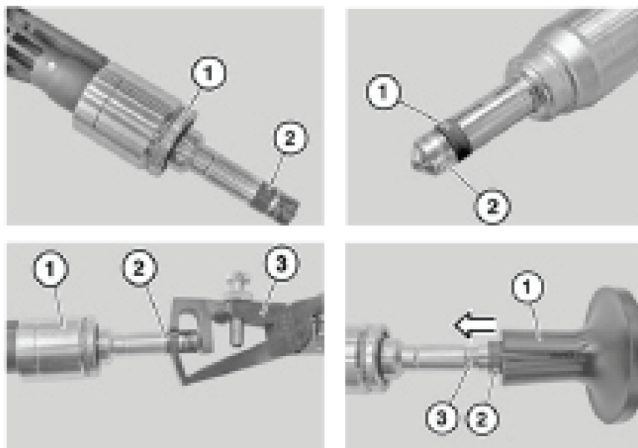
- 2000 - 2005 BMW 745i & iL (E65 & E66),
- 2006 - 2008 BMW 745i & iL (E65 & E66)
- 2004 - 2006 BMW X5 4.4i/4.8is (E53),
- 2007 - 2010 BMW X5 4.8i (E70)
- 2004 - 2005 BMW 545i (E60),
- 2006 - 2010 BMW 550i (E60 & E61)
- 2004 - 2005 BMW 645Ci (E63 & E64)
- 2006 - 2010 BMW 650i (E63 & E64)

For the removal and installation of high pressure injectors and installing the combustion chamber seal. The only tool on the market designed to remove and install FSI fuel injectors.

OEM Ref: T10133C

## June 2017

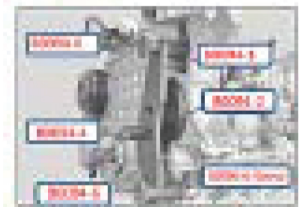
### FUEL INJECTOR SEAL INSTALLER / REMOVER BMW ET0085



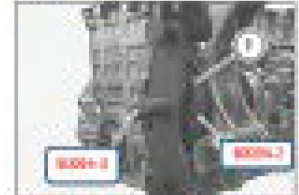
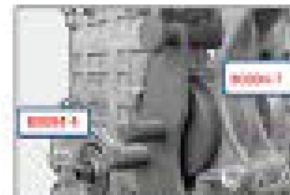
Specially Designed for removing and installing the injector seals.

Applications:  
BMW N13/ N14 / N18 / N20 / N26 / N43 / N53 / N54 /  
N55 / N63 / N74 / S55 / S63 / B38 / B48

### VACUUM PUMP SEALING COVER REMOVER/INSTALLER SET - BMW (N53/N54) ET0094



Secure B0094-1 with torx screws  
B0094-6 with sleeve  
Secure special tool B0094-2 against  
falling down.



Position special tool B0094-2 by hand on  
sealing cover.  
Screw in special tool B0094-4 and press.

Screw in new sealing cap (1) with special  
tools B0094-2 and B0094-3  
until flush with housing.

No.		OEM No.
1	Plate	0495729
2	Plate	0495730
3	Spindle	0495751
4	Spindle	0495752
5	Screw: M1.8 (N54)	0495733
6	Screw: M1.3 incl. sleeve (N53)	0495754
7	Plate	0495755
8	Bush	0495704
9	Holder	118090
10	Holder	118650

For the removal and installation of sealing cap of  
vacuum pump.

Applications: BMW (N53/N54)  
OEM Ref: 118 530, 110290, 118650